

TI47407 MPU-24

The Tesla™ TI47407 Micro Power Unit is a complete battery system that incorporates patented power cell technology with an intelligent charging system and ac-dc converter. Specifically designed to fit the Bell 407 Helicopter, the TI47407 provides faster, cooler aircraft starts while eliminating the problems normally associated with aviation batteries and battery maintenance. The TI47407 provides more power than comparable NiCd batteries with no risk of thermal runaway. Plus, Tesla™ stands behind the TI47407 with a three-year warranty, a trained military support team, and an experienced staff of customer service professionals.



Power Anytime, Anywhere

Features:

- Rated to 1500 peak starting amps
- Maintenance-free design
- 24.0 Vdc @ 23 amp hours rechargeable power
- 28.5 Vdc @ 10 amps continuous power for testing and troubleshooting avionics and weapons systems
- 5 to 7 year service life with a 3 year warranty
- Non-hazardous, dry-cell technology
- Built in Capacity Meter/Recharge State Indicator
- Plugs into ac power to recharge cells
- Back-charges off of dc aircraft bus



Tesla™ Industries, Inc.

www.teslainsd.com ♦ www.tesla1.com

Email: tesla1@teslainsd.com

Headquarters: (302) 324-8910

101 Centerpoint Blvd. New Castle, DE 19720

Western Regional Office: (775) 622-8801

9475 Double R Blvd. Suite 2, Reno, NV 89521

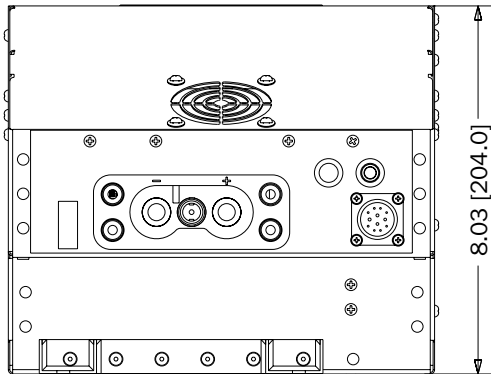


**The POWER
Of RED™**

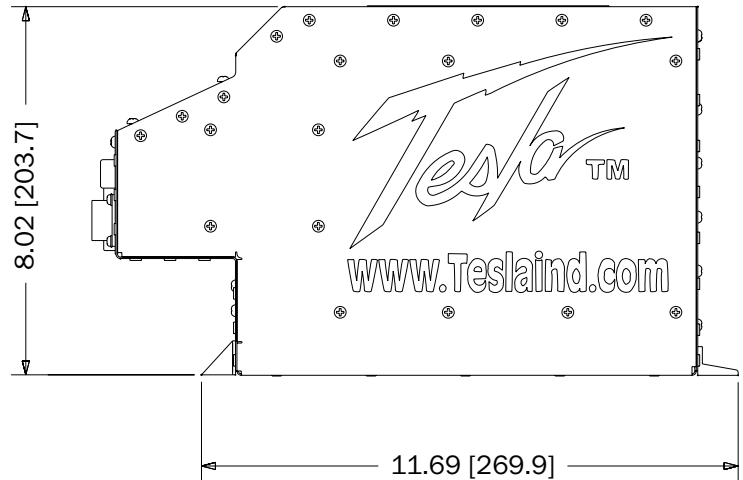


Dimensions and Technical Specifications

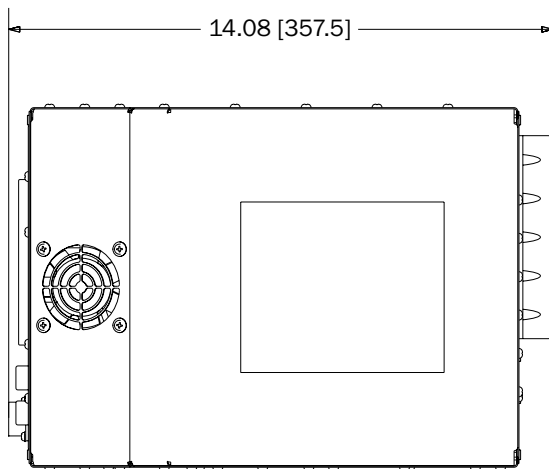
* All dimensions are in inches [millimeters]



Front View



Side View



Top View



Technical Specifications:

Peak Starting Amps	1500 A
Storage Temperature	-65 °C to +60 °C (-85 °F to 140 °F)
Operating Temperature	-40 °C to +60 °C (-40 °F to 140 °F)
DC Output - Continuous	28.5 VDC @ 10 amps
DC Output - Rechargeable	24.0 VDC @ 23 amp hours
AC Input	Operates and charges from Single Phase 100-260 Vac 45-450 Hz 5.5 amps @ single phase 120 Vac 2.75 amps @ single phase 240 Vac
Recharging Rate	143 minutes @ 25 °C
Shock	50 G
Vibration	Exceeds MIL-STD-810
Weight	52.2 lbs (23.68 kg)
Warranty	3 years