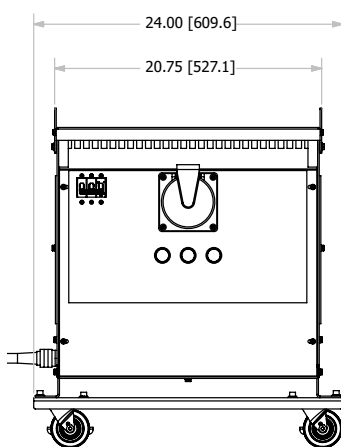




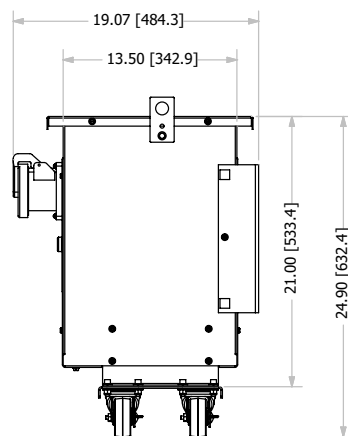
TI2000-222 Step Down Transformer

Power Anytime, Anywhere

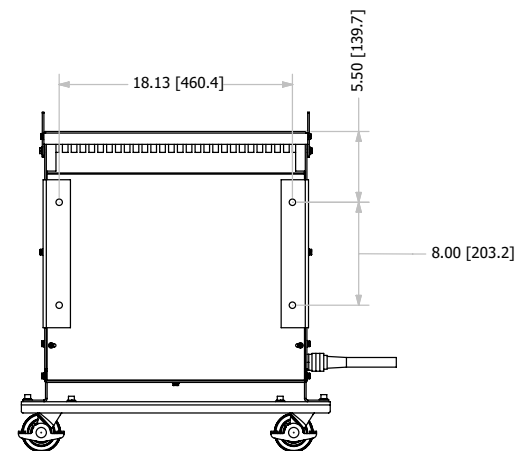
- 15 kVA, 3-phase, 50/60 Hz.
- Input 415 VAC 21 Amps Max. 50/60 Hz
- Output 208 VAC 42 Amps Max. 50/60 Hz
- Converts 415 VAC, 50 Hz, 3-phase to 208 VAC, 3-phase.
- Used with the TI4400 and TI5400 Series GPUs.
- Removable Wheel Base
- Attached Mounting Bracket on rear of Transformer
- Size: 18.61" L x 24" W x 24.9" H
472.69 mm x 609.6 mm x 632.46 mm
- Weight: 235.5 lbs (106.82 kg)



Front View



Side View



Rear View

* All dimensions are in inches [millimeters]