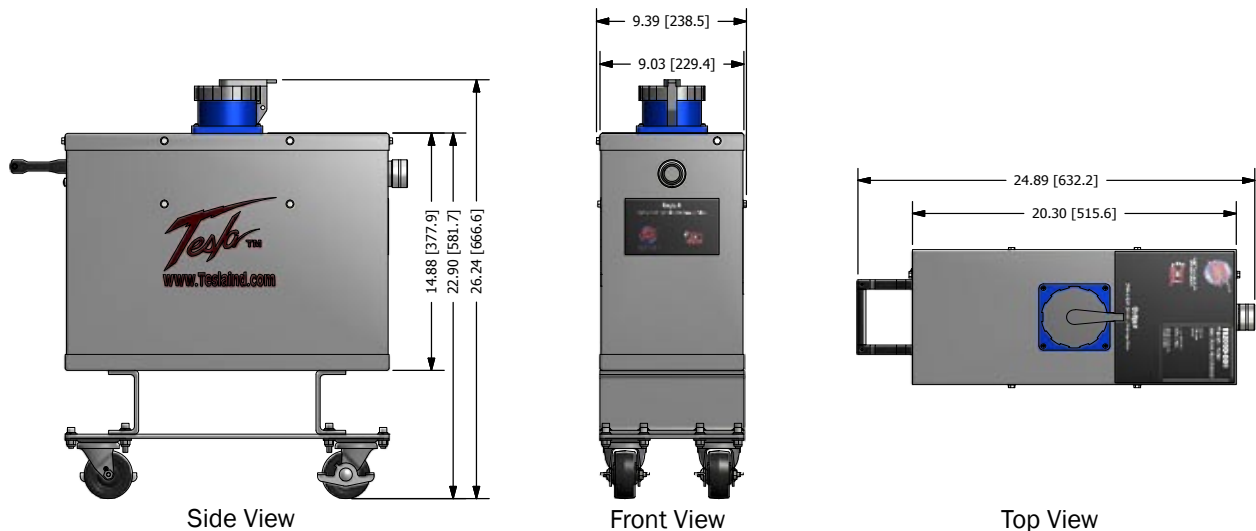




TI2000-009 Step Down Transformer

Power Anytime, Anywhere

- 15 kVA, 3-phase, 60 Hz.
- Input 480 VAC 18.06 Amps Max. 60 Hz
- Output 208 VAC 41.7 Amps Max. 60 Hz
- Converts 480 VAC, 3-phase to 208 VAC, 3-phase.
- Used with the TI4200, TI4400, TI5200 and TI5400 GPUs.
- Size : 25.8" L x 19.25" W x 24.66" H
655.5 mm x 489 mm x 626.3 mm
- Weight: 265 lbs (120.2 kg)



* All dimensions are in inches [millimeters]