

# TI150 Series Battery Charger/Conditioner Hardwired

**TI15014-120 / TI15028-120 (12V)**

**TI15014-240 / TI15028-240 (24V)**

The Tesla™ TI150 Series Battery Charger/Conditioners will rapidly recharge any 12 or 24 volt battery.\* Designed for permanent installation and hardwired, it is rugged and reliable in the harshest conditions The Tesla™ Charger/Conditioner recharges dead batteries faster than any other product of comparable size. Additionally, all models incorporate an intelligent recharging circuit that prevents overcharging and provides pure dc output for efficient battery conditioning. Tesla™ stands behind the TI150 Series Battery Charger/Conditioner with a 2-year warranty, a trained military support team, and an experienced staff of customer service professionals.



**Power Anytime, Anywhere**

## Features:

- Circuit Breaker protected output
- Designed for permanent installation
- Built-in recharge indicator
- Thermal/Overload protection
- Cooling Fan
- Exceeds MIL-STD-810



**Tesla™** Industries, Inc.

[www.teslaind.com](http://www.teslaind.com) ♦ [www.tesla1.com](http://www.tesla1.com)

Email: [tesla1@teslaind.com](mailto:tesla1@teslaind.com)

**Headquarters:** (302) 324-8910

101 Centerpoint Blvd. New Castle, DE 19720

**Western Regional Office:** (775) 622-8801

9475 Double R Blvd. Suite 2, Reno, NV 89521

\* Note: Depending on model chosen.

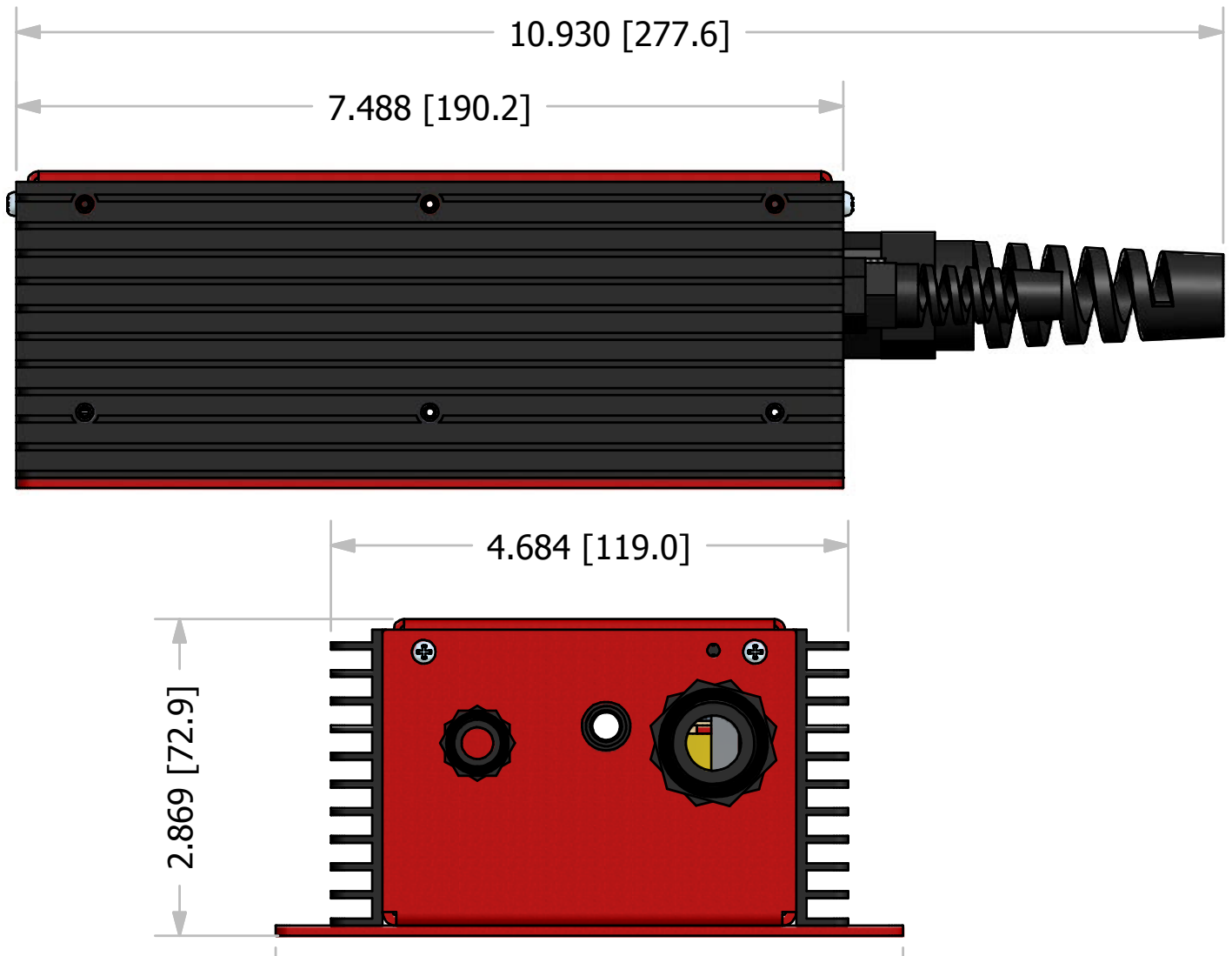


**The POWER  
Of  
RED™**



# Dimensions and Technical Specifications

\* All dimensions are in inches [millimeters]



## Technical Specifications:

Storage Temperature	-65 °C to +60 °C (-85 °F to 140 °F)
Operating Temperature	-40 °C to +60 °C (-40 °F to 140 °F)
Input	Operates from Single Phase 100-260 Vac / 40-500 Hz
Output	
TI15014-120/TI15028-120	14.25 @ 20A
TI15028-240/TI15028-240	28.5 @ 10A
Frequency	50 - 450 Hz.
Shock	50 G
Vibration	Exceeds MIL-STD-810
Weight	6.00 lbs (2.72 kg)
Warranty	2 years