



TI5400 400Hz GPU-24 GHMD

NSN: 6130-01-572-4832 (CL IX)

Power Anytime, Anywhere



Pure Power - No Spikes or Surges

- 24 Vdc for engine starting
- 400 amps continuous 28.5 Vdc (plugged into ac power) for testing and troubleshooting avionics and weapons systems
- Technology upgrades available

Perfect Aircraft Ground Power/Starting Solution

- 3000 peak starting amps
- Eliminates hot starts
- Ideal power for maintenance hangars, FARPs, and deployment

Safe and Easy Operation

- One person can maneuver and operate the unit
- Non-hazardous, dry-cell technology
- "Push to Test" feature provides instant state of charge

Maintenance-Free Performance

- Operates and charges from either three phase 187-260 Vac 50/60 Hz or three phase Wye 115/200 Vac 400 Hz
- Simply plug into ac power when not in use
- 5 to 7-year service life with a 2-year warranty (3-years optional)

Specifications

- Size: 50.23" L x 24.50" W x 21.25" H
- 1275.80 mm x 622.30 mm x 539.75 mm
- Weight: 267 lbs (121.11 kg)

Input Requirements

- 60Hz - runs/charges from 3-phase 200-260 Vac power 60 amps

Tesla™ Industries, Inc.

www.teslainsd.com ♦ www.tesla1.com

Email: tesla1@teslainsd.com

Headquarters: (302) 324-8910

101 Centerpoint Blvd. New Castle, DE 19720

Western Regional Office: (775) 622-8801

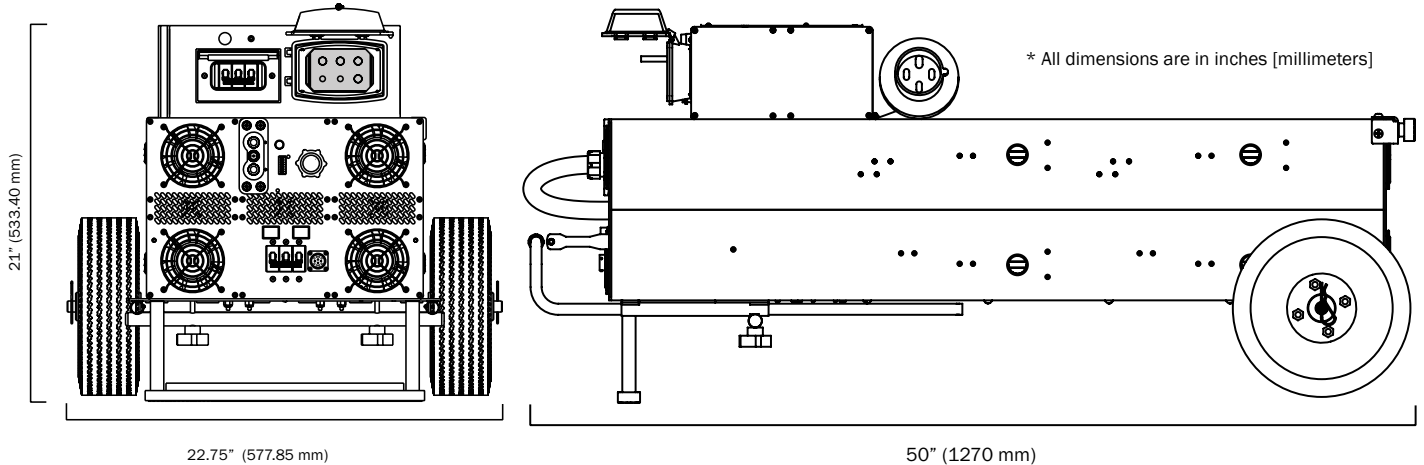
9475 Double R Blvd. Suite 2, Reno, NV 89521



The POWER
Of
RED™



Dimensions and Technical Specifications



Technical Specifications:

DC Output	400 amps continuous @ 28.5 Vdc - 8736 Watts (when plugged into ac power) 446 amp hours (12,424 watt hours) with ac power 46 amp hours (1,024 watt hours) of rechargeable battery power without ac power
Peak Starting Amps	3000 A
AC Input	Operates and charges from either three phase 187-260 Vac 50/60 Hz or three phase Wye 115/200 Vac 400 Hz 42 amps @ 208 Vac 50/60 Hz 45 amps @ 200 Vac 400 Hz Requires 60 amp service (contact Tesla™ Industries for receptacle information)
Recharging Rate	12 minutes (from full discharge) @ 25 °C
Vibration	Exceeds MIL-STD-810
Storage Temperature	-65 °C to 105 °C (-85 °F to 221 °F)
Operating Temperature w/o AC Power	-40 °C to 60 °C (-40 °F to 140 °F)
Operating Temperature w/ AC Power	-40 °C to 55 °C (-40 °F to 131 °F)
Weight	267 lbs (121.11 kg)

Includes:



TI2007-225 25 Ft. DC Aviation Cable Assembly

and



TI2000-070 Three Phase Ext. Cable with 460P9W

and



TI7000-056 (460P9W) Hardwired Three Phase Plug AC Line Cord Length: 7ft

Optional Accessories:



TI7000-083 Protective Cover



TI2000-155 Tow Cart with
TI7000-129 Storage Case attached



TI3100A Digital/Amp Meter (DVAM)