

TI4100 GPU-24



Power Anytime, Anywhere



Benefits

- Ideal for small to medium size, fixed wing aircraft
- Perfect for testing and troubleshooting (avionics, TMDE, electronics, and hydraulics)
- System back-charges from the started vehicles’ engine in minutes
- Will charge and maintain vehicle batteries when unit is left connected to vehicle (ac power required)
- Safe, easy, maintenance-free operation

Safe and Easy Operation

- One person can maneuver and operate the unit
- Safe for flight, non-hazardous, dry-cell technology
- “Push to Test” feature provides instant state of charge

Pure Power

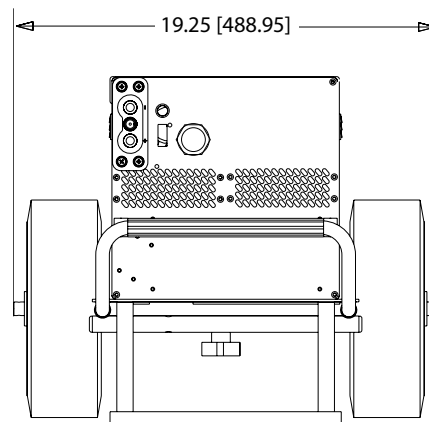
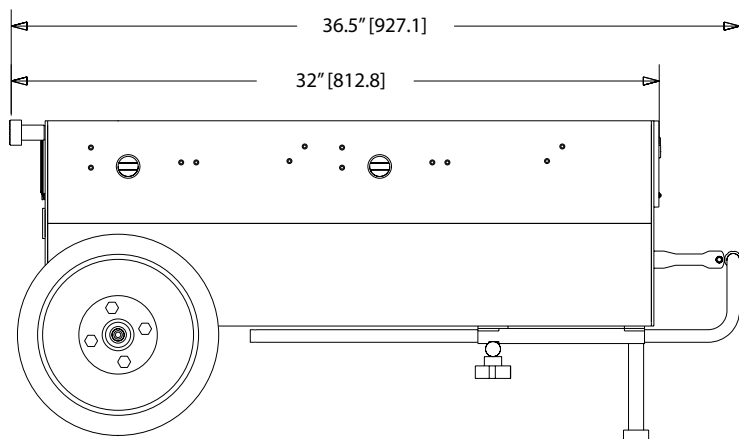
- No spikes or surges
- 1500 peak starting amps
- 23 amp hours of rechargeable battery power without ac
- 123 amp hours with ac power
- Operates and charges from 200-260 Vac power 50/60 Hz
- 100 amps continuous @ 28.5 Vdc (when plugged into AC power)

INCLUDES	TI4100 GPU-24 NSN: 6130-01-445-9641 (CL IX)	TIMV4100 GPU-24 NSN: 6130-01-475-5327 (CL IX)	All configurations include...
			
	TI2007-208 8ft. DC Aviation Cable Assembly	TI2007-315 15ft. DC NATO Cable Assembly	TI25000-013 (2621) Hardwired Single Phase Plug AC Line Cord Length: 25ft

Tesla™ Industries, Inc.
 www.teslainsd.com ♦ www.tesla1.com
 Email: tesla1@teslainsd.com
Headquarters: (302) 324-8910
 101 Centerpoint Blvd. New Castle, DE 19720
Western Regional Office: (775) 622-8801
 9475 Double R Blvd. Suite 2, Reno, NV 89521



Dimensions and Technical Specifications



* All dimensions are in inches [millimeters]

Technical Specifications:

DC Output	23 amp hours (512 watts) of rechargeable power without ac power 123 amp hours (3362 watts) with ac power 100 amps continuous @ 28.5 Vdc (plugged into ac power)
Peak Starting Amps	1500 A
AC Input	<ul style="list-style-type: none"> Operates and charges from Single Phase 200-260 Vac, 50/60 20 amps @ 240 Vac Requires 30 amp service (contact Tesla™ for receptacle information)
Recharging Rate	19 minutes (from full discharge) @ 25 °C
Vibration	Exceeds MIL-STD-810
Storage Temperature	-65 °C to 60 °C (-85 °F to 140 °F)
Operating Temperature w/o AC Power	-40 °C to 60 °C (-40 °F to 140 °F)
Operating Temperature w/ AC Power	-40 °C to 55 °C (-40 °F to 131 °F)
Weight	112 lbs (50.80 kg)

Optional Accessories:



TI7000-142 Protective Cover



TI7000-026 Shipping Case