



TI3000 GPU-24-INV-1800

Power Anytime, Anywhere



Benefits

- Ideal for hangars, FOBs, motor pools, and deployments.
- Perfect for testing and troubleshooting (avionics, TMDE, electronics, and hydraulics).
- System back-charges from the started vehicles' engine in minutes.
- Will charge and maintain vehicle batteries when unit is left connected to vehicle (ac power required).
- Safe, easy, maintenance-free operation.
- Dual GFI outlet makes it convenient to plug in laptops, test instruments, cell phone chargers, and other electronic devices without using an alternate power source.

Safe and Easy Operation

- One person can maneuver and operate the unit.
- Safe for flight, non-hazardous, dry-cell technology.
- "Push to Test" feature provides instant state of charge.

Pure Power

- No spikes or surges.
- 3000 peak starting amps.
- 46 amp hours of rechargeable battery power without ac.
- 96 amp hours with ac power.
- Operates and charges from 100-260 Vac power 50/60 Hz.
- 50 amps continuous @ 28.5 Vdc - 1425 Watts (when plugged into ac power).
- 1800 Watt ac uninterruptible pure sine wave inverter (<3% THD) with 60 Hz 120V power outlet.

INCLUDES



TI25000-211
NEMA 515P North American Line Cord

and



TI2007-208
8ft. DC Aviation Cable Assembly

or



TI2007-315
15ft. DC NATO Cable Assembly

Tesla™ Industries, Inc.

www.teslainsd.com ♦ www.tesla1.com

Email: tesla1@teslainsd.com

Headquarters: (302) 324-8910

101 Centerpoint Blvd. New Castle, DE 19720

Western Regional Office: (775) 622-8801

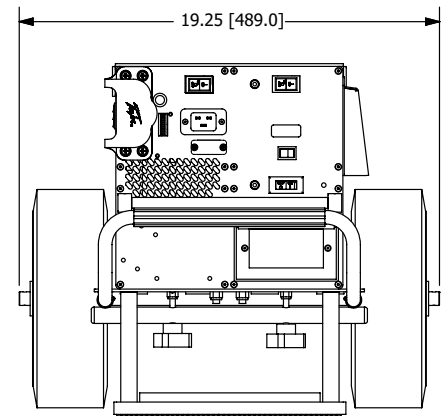
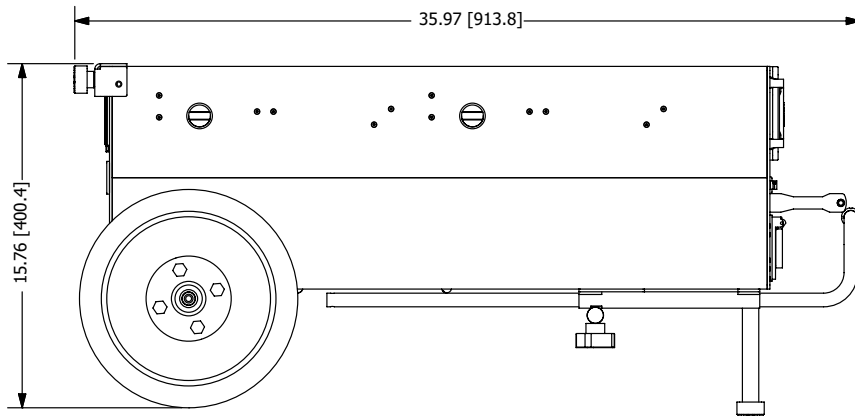
9475 Double R Blvd. Suite 2, Reno, NV 89521



**The POWER
of
RED™**



Dimensions and Technical Specifications



* All dimensions are in inches [millimeters]

Technical Specifications:

DC Output	3000 peak starting amps 50 amps continuous @ 28.5 VDC - 1425 Watts (when plugged into ac power) 96 amp hours (2449 watt hours) with ac power 46 amp hours (1024 watt hours) of rechargeable battery power without ac
AC Input	Operates and charges from Single Phase 100-260 Vac, 50/60 Hz 20 amps @ 120 Vac - 2400 Watts 10 amps @ 240 Vac - 2400 Watts
AC Inverter	1800 watts 120 Vac 60 Hz Pure Sine Wave <3% THD 15 amps output Surge 2900 watts Dual GFI receptacle
Recharging Rate	60 minutes (from full discharge) @ 25 °C
Shock	40 G per MIL-STD-810G, Method 516.6
Vibration	Exceeds MIL-STD-810G transportation, helicopter, and CWV profiles per Method 514.6
Humidity	95% aggravated profile per MIL-STD-810G, Method 507.5
Temperature	Meets or Exceeds MIL-STD-810G operational and storage temperature ranges per Method 501.5 and Method 502.5
GPU Operating Temperature:	-40 °C to 60 °C (-40 °F to 140 °F) without AC power -40 °C to 55 °C (-40 °F to 131 °F) with AC power
GPU Storage Temperature:	-65 °C to 105 °C (-85 °F to 221 °F)
Inverter Operating Temperature:	-40 °C to 60 °C (-40 °F to 140 °F)
Inverter Storage Temperature:	-40 °C to 70 °C (-40 °F to 158 °F)
Dimensions	35.97" L x 19.25" W x 15.76" H 913.8 mm x 489.0 mm x 400.4 mm
Weight	154 lbs (69.85 kg)
Warranty	2 Years (3 Year Optional)