



Power Anytime, Anywhere

TI2500 GPU-24

TI2500GPU-24 (Aviation)

NSN: 6130-01-452-2777 (CL IX)

TIMV2500GPU-24 (Mechanized)

NSN: 6130-01-475-5319 (CL IX)



Innumerable Vehicle Starts

- 3000 peak starting amps
- System back-charges from the started vehicle's engine
- Ideal power for motor pools and deployment

Pure Power

- No spikes or surges
- 71 amp hours (1736 watt hours) with ac power from each connector
- 46 amp hours (1024 watt hours) of rechargeable battery power without ac from each connector
- 25 amp hours of continuous dc power from each connector
(50 amps if used with optional Y-Cable Assembly TI2000-071)

Maintenance-Free Performance

- Currently being used with the Bell AH-1 Super Cobra
- Designed for 24/48V simultaneous starts
- Ideal for hangars, motor pools, and deployments
- Perfect for testing and troubleshooting (avionics, TMDE, electronics, and hydraulics)
- One person can easily maneuver and operate the unit
- Will charge and maintain vehicle batteries when unit is left connected to vehicle (ac power required)
- Safe, easy, maintenance-free operation
- "Push to Test" feature provides instant state of charge

Tesla™ Industries, Inc.

www.teslaind.com ♦ www.tesla1.com

Email: tesla1@teslaind.com

Headquarters: (302) 324-8910

101 Centerpoint Blvd. New Castle, DE 19720

Western Regional Office: (775) 622-8801

9475 Double R Blvd. Suite 2, Reno, NV 89521

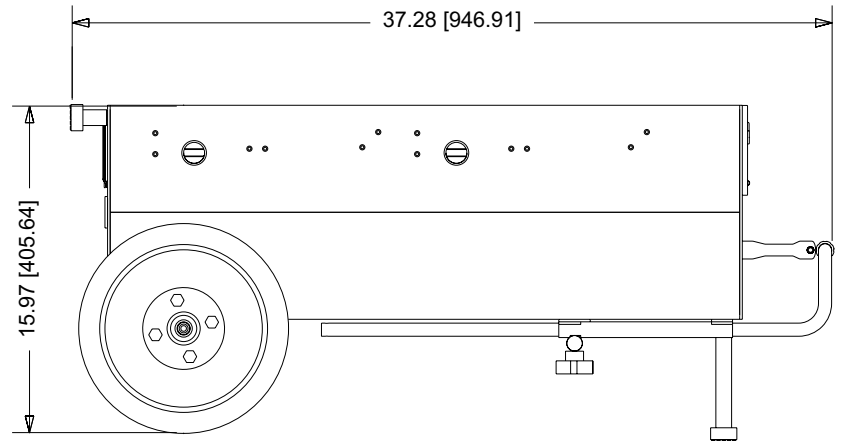
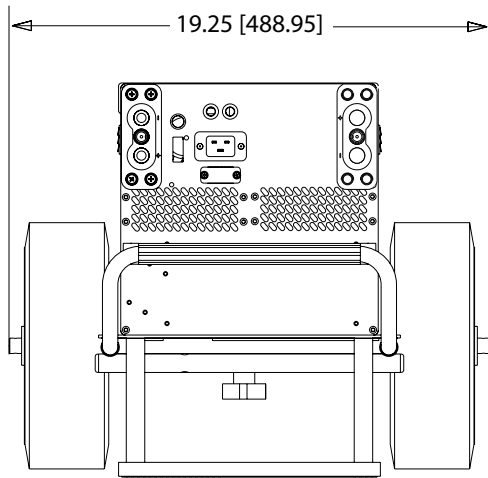


The POWER
Of RED™



Dimensions and Technical Specifications

* All dimensions are in inches [millimeters]



Technical Specifications:

DC Output	25 amps continuous from each connector (50 amps if used with optional Y-cable assembly TI2000-071) 71 amp hours (1736 watt hours) with ac power from each connector 46 amp hours (1024 watt hours) of rechargeable battery power without ac from each connector
Peak Starting Amps	3000 peak starting amps or 6000 peak starting amps
AC Input Power	<ul style="list-style-type: none"> Operates and charges from Single Phase 100-260 Vac, 50/60 Hz 20 amps @ 120 Vac 10 amps @ 240 Vac
Recharging Rate	115 minutes (from full discharge) @ 25 °C
Storage Temperature	-65 °C to 105 °C (-85 °F to 221 °F)
Operating Temperature w/o AC Power	-40 °C to 60 °C (-40 °F to 140 °F)
Operating Temperature w/ AC Power	-40 °C to 55 °C (-40 °F to 131 °F)
Weight	235 lbs (106.6 kg)
Warranty	2 years (3 years optional)

INCLUDES

All configurations **INCLUDE**
TI25000-211
NEMA 515P North American Line Cord



and

TI2500 GPU-24
NSN: **6130-01-452-2777** (CL IX)



TI2007-208
8ft. DC Aviation Cable Assembly

or

TIMV2500 GPU-24
NSN: **6130-01-475-5319** (CL IX)



TI2007-315
15ft. DC NATO Cable Assembly

OPTIONAL ACCESSORIES



TI7000-026 Shipping Case



TI7000-142 Protective Cover



TI2000-071 Y-Cable Assembly