



Power Anytime, Anywhere



A



B

TI1000 GPU-24

A TI1000 GPU-24

NSN: 6130-01-418-5230 (CL IX)

A TIMV1000 GPU-24

NSN: 6130-01-475-5313 (CL II)

B TI1000 GPU-24 UAV

NSN: 6130-01-455-5172 (CL IX)

Features

- Perfect for testing and troubleshooting (avionics, TMDE, electronics, and hydraulics)
- Trickle charges vehicle batteries when unit is left connected to vehicle
- Ideal for hangars, FOBs, motor pools, and deployments
- System back-charges from the started vehicles' engine in minutes
- Operates with a circuit breaker, therefore eliminating the need to replace blown fuses
- Safe, easy, maintenance-free operation
- 5 to 7-year service life with 2-year warranty (3-years optional)

Safe and Easy Operation

- One person can maneuver and operate the unit
- Safe for flight, non-hazardous, dry-cell technology
- "Push to Test" feature provides instant state of charge

Pure Power

- No spikes or surges
- 1500 peak starting amps
- 23 amp hours (512 watt hours) of rechargeable battery power without ac power
- 48 amp hours (1224 watt hours) with ac power
- Operates and charges from 100-260 Vac power 50/60 Hz
- 25 amps continuous @28.5 Vdc (when plugged into ac power)

Tesla™ Industries, Inc.

www.teslainsd.com ♦ www.tesla1.com

Email: tesla1@teslainsd.com

Headquarters: (302) 324-8910

101 Centerpoint Blvd. New Castle, DE 19720

Western Regional Office: (775) 622-8801

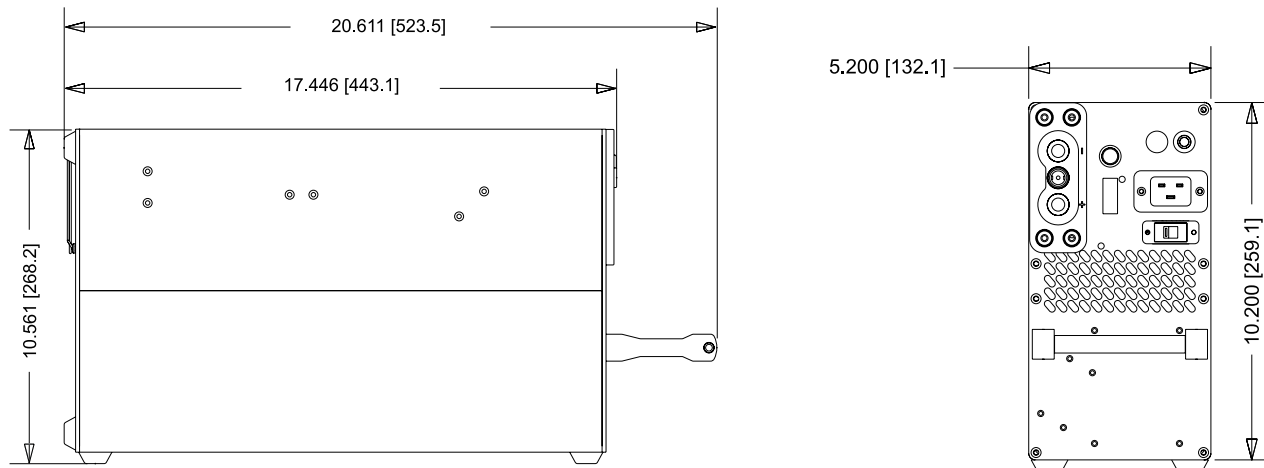
9475 Double R Blvd. Suite 2, Reno, NV 89521



The POWER
Of RED™



Dimensions and Technical Specifications



* All dimensions are in inches [millimeters]

Technical Specifications:

DC Output	23 amp hours (512 watts) of rechargeable power without ac power 48 amp hours (1224 watts) with ac power 25 amps continuous @ 28.5 Vdc (plugged into ac power)
Peak Starting Amps	1500 A
AC Input	Operates and charges from Single Phase 100-260 Vac, 50/60Hz 10 amps @ 120 Vac 5 amps @ 240 Vac
Recharging Rate	60 minutes (from full discharge) @ 25 °C
Vibration	Exceeds MIL-STD-810
Storage Temperature	-65 °C to 105 °C (-85 °F to 221 °F)
Operating Temperature w/o AC Power	-40 °C to 60 °C (-40 °F to 140 °F)
Operating Temperature w/ AC Power	-40 °C to 55 °C (-40 °F to 131 °F)
Dimensions	20.61" L x 5.2" W x 10.56" H 523.49 mm x 132.08 mm x 268.25 mm
Weight	57 lbs (28.85 kg)
Warranty	2 years (3 years optional)

Configurations and Options

GPU NSN Configurations:

- TI1000 GPU-24

NSN: 6130-01-418-5230 (CL IX)

Includes:

TI2007-208 8ft. DC Aviation Cable Assembly
or a TI2007-315 15ft. DC NATO Cable Assembly



TI25000-211 NEMA 515P North American AC Line Cord



- TIMV1000 GPU-24

NSN: 6130-01-475-5313 (CL II)

Includes:

TI2007-315 15ft. DC NATO Cable Assembly



TI25000-211 NEMA 515P North American AC Line Cord



- TI1000 GPU-24 UAV

NSN: 6130-01-455-5172 (CL IX)

Includes:

13ft. Interface Box Cable



TI25000-211 NEMA 515P North American AC Line Cord



Optional Accessories:

- TI7000-024

TI1000 GPU-24 Shipping Case
NSN: 6140-01-467-5710



- TI7000-046

TI1000 GPU-24 Protective Cover



- TI7000-184

TI1000 GPU-24 Transporting Dolly

