

TI2000-331

Cobra DC Aviation Plug with 2 Conductors



Power Anytime, Anywhere

The Tesla™ Cobra™ DC Aviation Plug is constructed from a rugged combination of advanced composite materials and corrosion-resistant alloys. Specially designed and weatherproofed to withstand the extreme operational conditions, this Aviation Plug is a 3-Pole 28V DC Female Aircraft Connector Plug with two conductors for aircraft ground power units.

Features:

- Rated to 3000 peak amps
- Clamped cable connections
- UV, fuel, fungus, water and oil resistant
- Easy component replacement
- Manufactured by Tesla™
- Exceeds MIL-STD-810
- Tested to withstand 50 G of force



Tesla™ Industries, Inc.

www.teslaind.com ♦ www.tesla1.com

Email: tesla1@teslaind.com

Headquarters: (302) 324-8910

101 Centerpoint Blvd. New Castle, DE 19720

Western Regional Office: (775) 622-8801

9475 Double R Blvd. Suite 2, Reno, NV 89521



The **POWER**
of
RED™



Features and Benefits

Weatherproof Construction

Through a series of strategically placed seals and bushings, the Cobra™ DC Aviation Plug is hermetically sealed to lock out rain, snow, sand and other harmful debris.

Internal Cable Connections

Unlike connectors with cables molded directly into the housing, easily accessible lugs allow for direct termination inside of the plug. Additionally, compression grommets and bushings provide strain relief. This unique combination of protection eliminates dangerous shocks from exposed wiring due to cable stretching and splicing.

Rugged, Durable, Reliable

Made from virtually indestructible composite materials, the plug housing won't crack, melt, blister, dry-rot or disintegrate. This, in conjunction with corrosion resistant conductors, ensures that the Cobra™ DC Aviation Plug will still be in the field long after other plugs have failed.

Replaceable Contacts

Manufactured from highly conductive alloys, the contacts are specially tapered and have memory to maximize contact surface area and to minimize deformity over time. Once installed, contacts are hermetically sealed within the plug.

Insertion/Extraction Tool

The Cobra™ DC Aviation Plug can be easily repaired by replacing the contacts using the Insertion/Extraction Tool. The tool and replacement contacts can be ordered through Tesla™ Customer Service at (302) 324-8910.



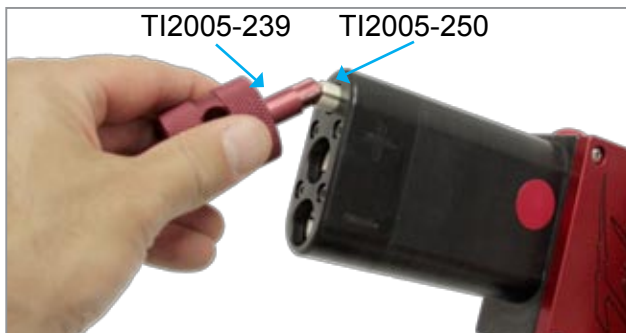
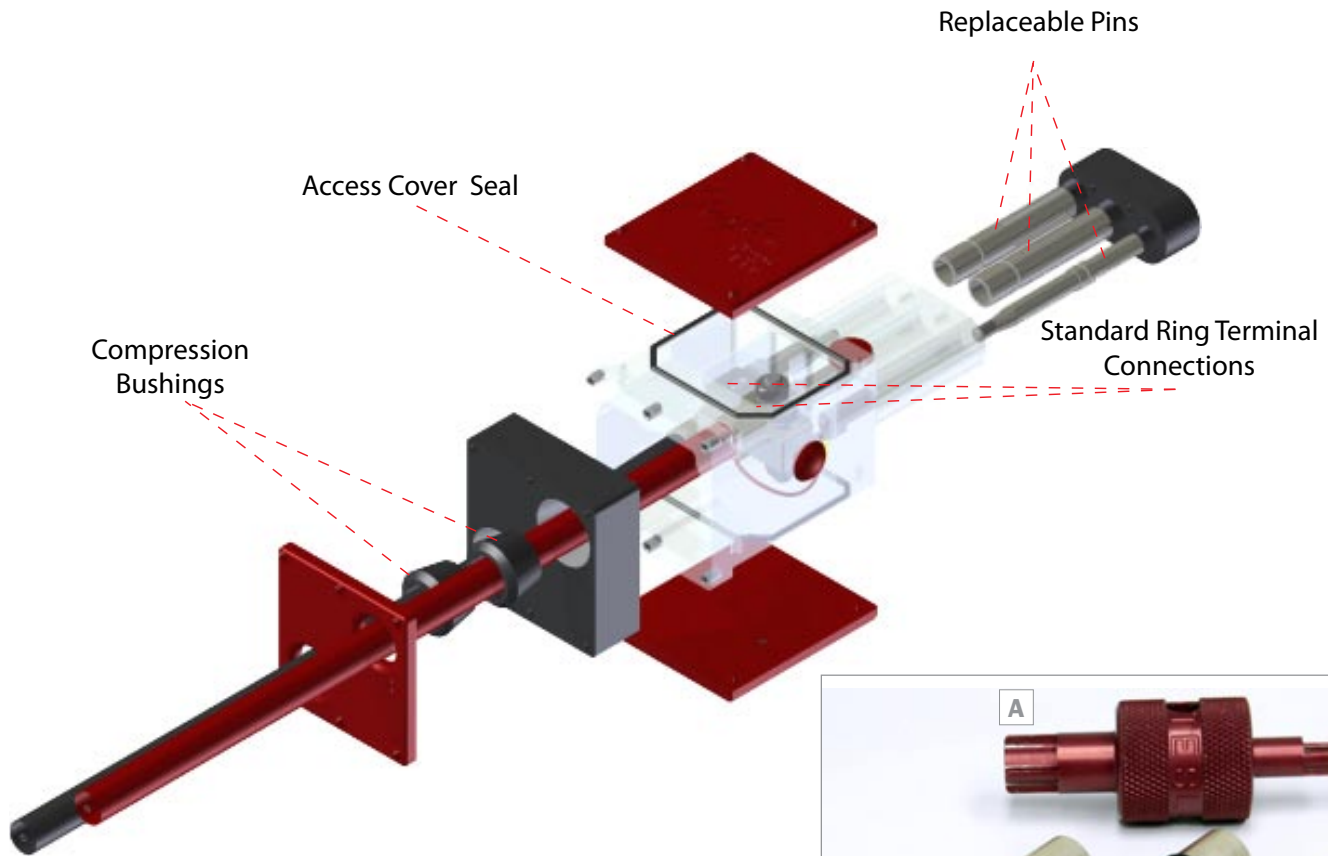
Replaceable Nose: TI2004-341



REPLACING NOSE:

1. Remove screws using 9/64" hex key turning counterclockwise.
2. Put aside the screws and lock washers.
3. Line up and insert new Replaceable Nose ([TI2004-341](#)). Make sure the flat side is against the plug, curved side facing out.
4. Screw in the four screws clockwise.

Components - Exploded View



REPLACING CONTROL PIN:

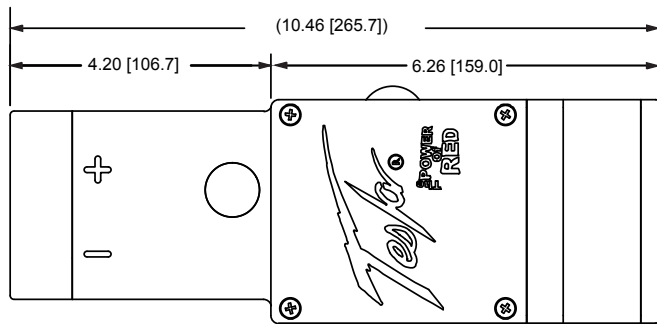
1. Use Insertion/Extraction Tool (TI2005-239) using the smaller end to remove the pin by inserting and turning counterclockwise.
2. Install new pin (TI2005-250) using same tool and screw in the clockwise.



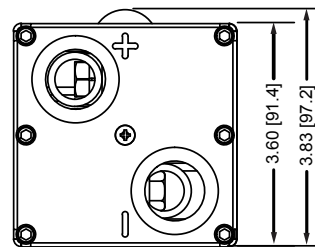
REPLACING POWER PIN:

1. Use Insertion/Extraction Tool (TI2005-239) using the larger end to remove the pin by inserting and turning counterclockwise.
2. Install new pin (TI2005-251) using same tool and screw in the clockwise.

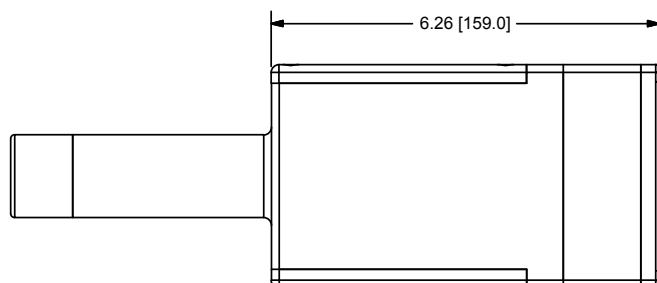
Dimensions and Technical Specifications



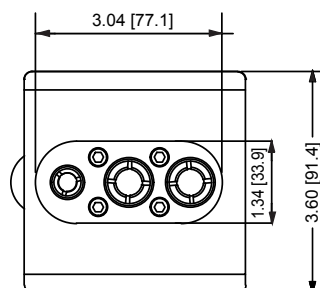
TOP VIEW



BACK VIEW



SIDE VIEW



FRONT VIEW

* All dimensions are in inches [millimeters]

Technical Specifications:

Terminal Lugs Stud Size	3/8-24 (power pins)
Storage Temperature	-65 °C - 125 °C (-85 °F - 257 °F)
Operating Temperature	-40 °C - 110 °C (-40 °F - 230 °F)
Rated Current	1500 A
Rated Voltage	18 - 32 VDC
Contact Resistance	< 60 $\mu\Omega$ @ 25 °C
Shock	50 G
Vibration	MIL-STD-810
Weight	4.01 lbs (1.82 kg)
Warranty	2 years (3 years optional)

