



TI2007-105 Cobra-Zorber

Power Anytime, Anywhere

The Cobra-Zorber protects equipment that is vulnerable to voltage spikes by preventing surges with its unmatched innovative state-of-the-art design. The merge of our top of the line NATO Connector (TI2005-078) with the new special Cobra NATO Receptacle gives the Cobra-Zorber its unique function - the ability to literally “eat the spikes,” while its 20” long body ensures its convenience and mobility.

TO USE: Plug your NATO connector from the power source into the Cobra-Zorber NATO Receptacle. Then plug the NATO Connector from the Cobra-Zorber into your equipment.

If you have a good connection, the Status Indicator is turned on.

Features:

- 20” cable assembly
- Status indicator
- Maintenance-free design
- Up to 3000 peak amps
- UV, fuel, fungus, water, and oil resistant
- Manufactured by Tesla™
- 2 Year Warranty



Please Note: The Cobra Zorber™ can be used with GPUs, as well as, track and wheeled vehicles or any other power sources.



Tesla™ Industries, Inc.

www.teslaind.com

Email: tesla1@teslaind.com

Headquarters: (302) 324-8910

101 Centerpoint Blvd. New Castle, DE 19720 USA

Western Regional Office: (775) 622-8801

9475 Double R Blvd. Suite 2, Reno, NV 89521 USA

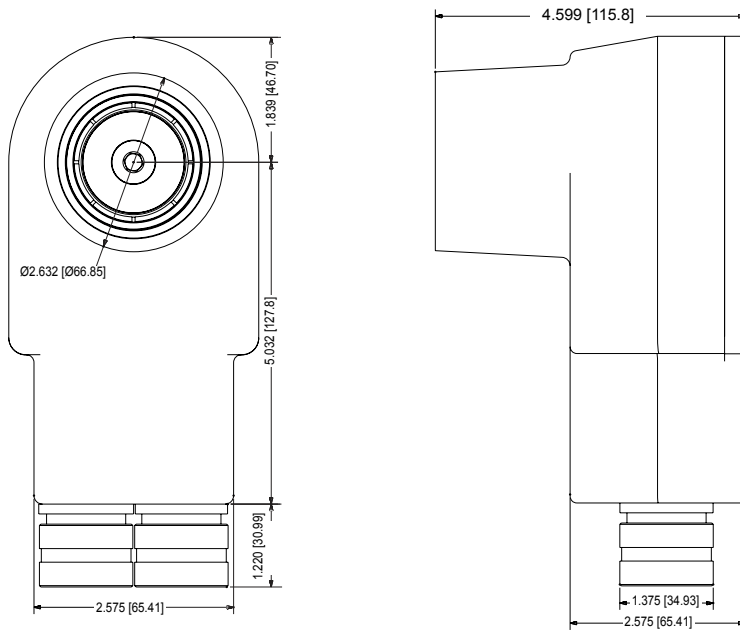


The POWER
Of RED™

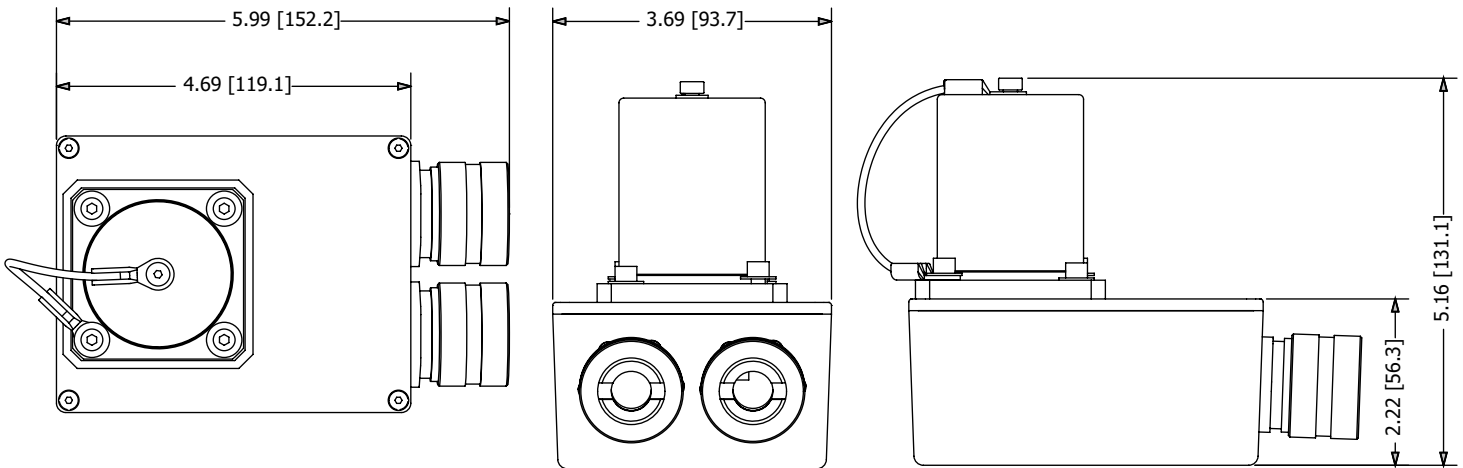


Dimensions and Technical Specifications

* All dimensions are in inches [millimeters]



NATO Connector



Technical Specifications:

Rated Voltage	12 - 32 Vdc
Peak Current	3000 A
Rated Current	1500 A
Operating Temperature	-40 °C - 110 °C (-40 °F - 230 °F)
Storage Temperature	-65 °C - 125 °C (-85 °F - 257 °F)
Weight	8 lbs. (3.63 kg)
Warranty	2 years (3 years optional)



Cobra Zorber NATO Receptacle