



Power Anytime, Anywhere

Tesla™ TI28000-654 Reel

User Manual



Built Smart...Proven Tough

*Cord sold separately

Tesla Industries, Inc.
101 Centerpoint Blvd.
New Castle, DE 19720
(302) 324-8910 Phone
(302) 324-8912 Fax
www.teslaind.com
www.tesla1.com

**NOTE: All users must read this entire manual prior
to operating the TI28000-654 Reel.**

The TI28000-654 Reel is a limited maintenance-free unit. No repairs are authorized. Warranty will be voided if unit is tampered with in any way, or if unauthorized repairs are made. For technical support please contact:

TESLA™ INDUSTRIES INCORPORATED

101 CENTERPOINT BLVD.

CENTERPOINT INDUSTRIAL PARK

NEW CASTLE, DELAWARE 19720

PHONE: (302) 324-8910

FAX: (302) 324-8912

WEBSITE: www.teslaind.com ♦ www.tesla1.com EMAIL: tesla1@teslaind.com



CAUTION

Shock Hazard Potential

Improper use or failure to follow instructions in this user manual can result in unit damage and/or injury.

Any attempts to dismantle the TI28000-654 Reel can result in unit failure. This Reel is maintenance free and should not be disassembled for any reason.

No part of this manual may be reproduced or transmitted in any form or by any means, electronic or mechanical, including photocopying, recording, or any information storage and retrieval system, without prior written permission from Tesla Industries, Inc.

Copyright © 2019 by Tesla Industries, Incorporated. All rights reserved.




Table of Contents

Section 1 – Safety Review	1
1.1 – Safety Notices	1
1.2 – Symbols	1
1.3 – Hazards	1
Section 2 – Product Overview	2
2.1 – Features and Overview	2
2.2 – Introduction	3
2.3 – General Specifications	3
2.4 – Physical Dimensions	4
Section 3 – Operation Procedures	5
3.1 – Installing the Line Cord on Reel	5
3.2 – Mounting Procedures	5
3.3 – Adjust Reel Drag	6
3.4 – Unit Care	6
Repair Request Form	7

Section 1 – Safety Review

1.1 - Safety Notices

Safety notices appear throughout this manual to alert the user to important information regarding proper installation, operation, maintenance and storage of the unit. These notices, as illustrated below, contain a key word that indicates the level of hazard and a triangular icon that indicates the specific type of hazard.

 WARNING	Indicates a condition, operating procedure or practice, which if not adhered to could result in serious injury or death.
 CAUTION	Indicates a condition or operating procedure, which if not strictly adhered to could result in damage or destruction of equipment.
 NOTE	Indicates a condition, operating procedure or practice, which is essential to highlight.

1.2 - Symbols

The following symbols will appear within the warning triangles to alert the user to the specific type of danger or hazard.



Figure 1.2.1 – Different types of hazard and caution symbols

1.3 – Hazards

 WARNING	Shock Hazard Potential
--	-------------------------------

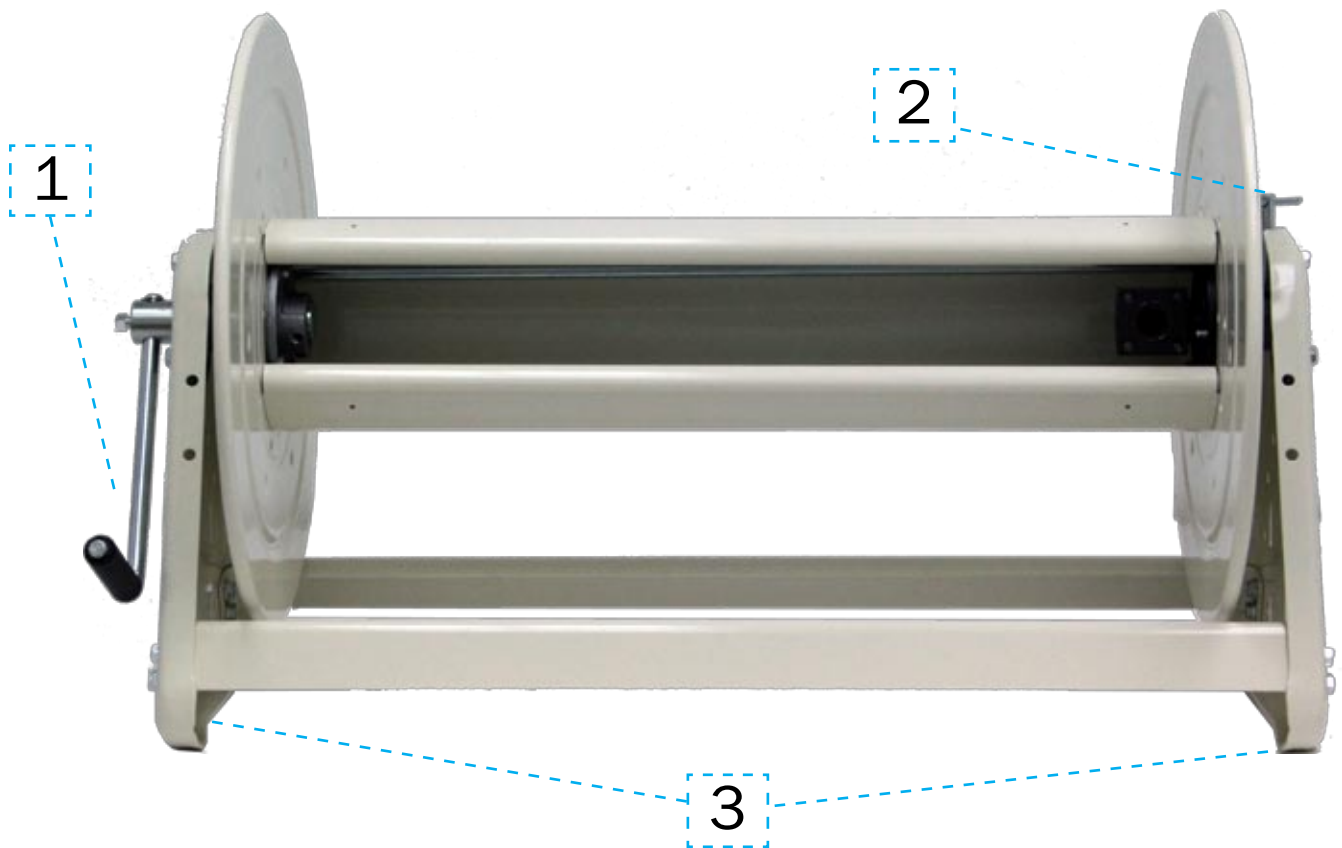
Severe injury or death from electrical shock may occur, if either user or the unit is wet, while the line cord in unit is connected to a power source. If the unit has come into contact with water, disconnect from the power source.

 CAUTION	Bodily Injury and Unit Damage Potential
--	--

Do not wear loose fitting clothing while operating reel. Be aware of other machinery in work area. Treat and respect the cord reel as any other piece of machinery, observing all common safety practices. When line cord is released, be aware of tripping hazards, as well as sharp objects that may cut or damage the line cord.

Section 2 – Product Overview

2.1 – Features and Overview



- 1. Cranking Handle** – Reels in and out the line cord.
- 2. Swivel Tension Assembly** – This adjusts the reel drag by loosening or tightening hub casting on manual driven reel.
- 3. Mounting Holes** – Four 1/2” diameter holes located on the base for securely mounting the reel to a sturdy base.

2.2 – Introduction

This manual contains the complete operating instructions, safeguards and procedures for the T128000-654 Reel. The heavy duty reel provides a simple way to operate and maneuver a long, heavy line cord.



Figure 2.2.1 – Handle to Reel

2.3 – General Specifications

Size:

- 40.72"W x 20.281"H x 17.75"D
- 1034.29mm x 515.14mm x 450.85mm

Weight

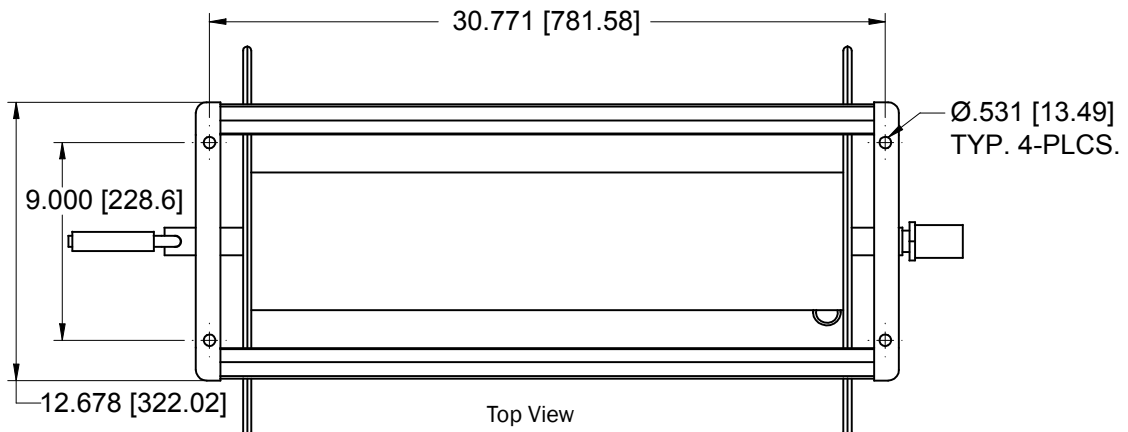
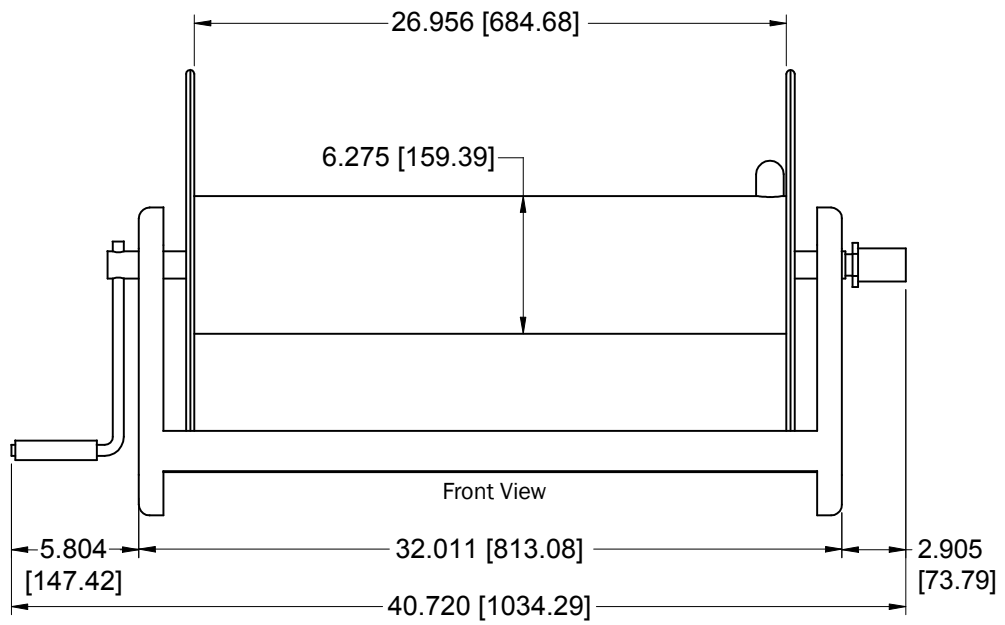
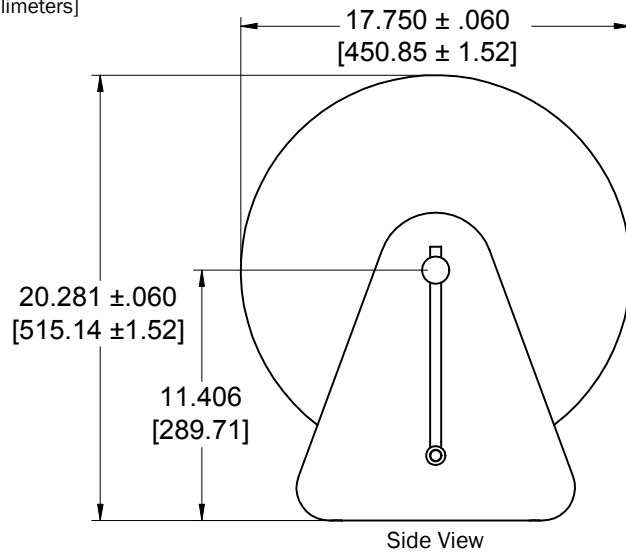
- 55 lbs (24.95 kg)

Warranty:

- 2 years (3 years optional)

2.4 – Physical Dimensions

* All dimensions are in inches [millimeters]



Section 3 – Operation Procedures

3.1 – Installing the Line Cord on Reel

1. Put the open end of the reel facing up and towards you. Tighten the crank (Figure 3.3.1) on the side of the reel to lock the cylinder in place.
2. Place the cable, being put on the reel, onto a cart with the **plug end on top** (see Figure 3.1.1). Strap the plug inside the reel. The Velcro strap should go over the plug, through the loop, under the metal rod, then connect back with itself. (see Figure 3.1.2)



Figure 3.1.1
Plug end of
cable



3.1.2 Location of Male Plug Inside the reel

3. When doing the first wrap, make sure the cable stays inside the cylinder. Have one person turning the handle **clockwise** to wrap the cable onto the reel and another person feeding the cable over from the cart. (see Figure 3.1.3)
4. Continue wrapping the cable onto the reel, making sure the cable stays tight and aligned the whole time.
5. Once completed, use a Velcro strap to hold down the connector on the wrap. (see Figure 3.1.4) Lock the reel into place when finished.



Figure 3.1.3 Wrapping the
cable onto the reel



Figure 3.1.4

3.2 – Mounting Procedures

Ensure that mounting surface is flat and structurally sound to prevent binding on reel and after it is mounted. Position reel to mounting surface and secure into place, using four secure fasteners (not included).

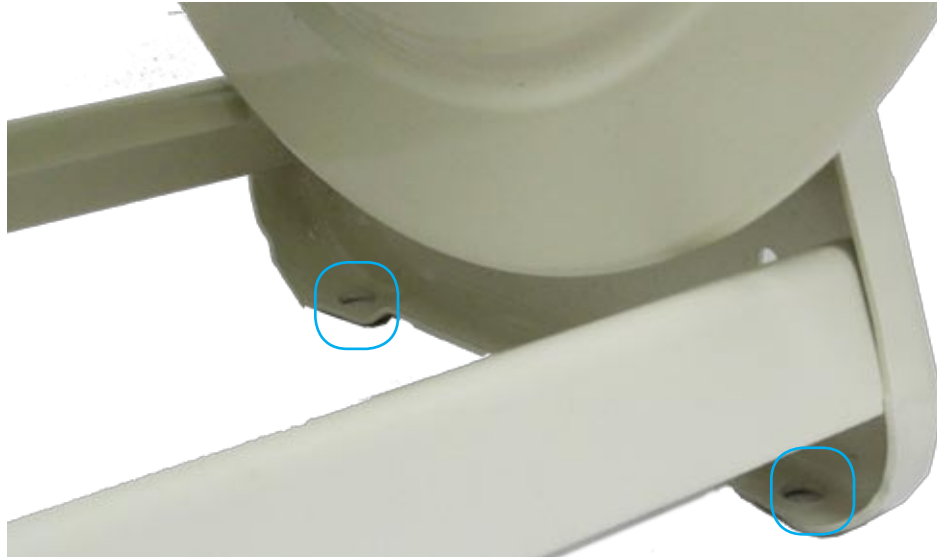


Figure 3.2.1 - Mounting Holes at the base of the Reel (outlined in blue)

3.3 – Adjust Reel Drag

You can control the tension of the turning of the reel, by adjusting the reel drag. Turning clockwise will tighten to create more drag. Tightening all way will lock the cylinder in place. Turning counter-clockwise will loosen. (see figure 3.3.1)



Figure 3.3.1 - Crank to adjust the reel drag.

3.4 – Unit Care

Protect the cables from damage. Do not cut or crush the cables when handling the unit. Always inspect cables prior to use. If no damage is evident, proceed to the next step.

Avoid prolonged exposure to extremely damp environments. Keep unit clean and guard from moisture when not in use.

Keep an eye on foreign objects when reeling in and out line cords during use.

Repair Request Form

Please complete the information below to ensure prompt and accurate service. Include this form with the unit you are returning. Thank you.

Date of return: _____

Company name & _____

Billing address: _____

Contact person: _____

Phone #: _____ Fax #: _____

Email: _____

Purchase Order #: _____

Model #: _____ Serial #: _____

Model #: _____ Serial #: _____

Shipping method to Tesla™: _____

Description of shipping package: _____

Description of problem: _____

Return to Tesla™

101 Centerpoint Boulevard, New Castle, DE 19720 Attention: Repair Department



WE GET THE MILITARY STARTED!

Tesla™

101 Centerpoint Blvd.
New Castle, DE 19720 USA
Tel: 302-324-8910
Fax: 302-324-8912

9475 Double R Blvd., Suite 2
Reno, NV 89521
Tel: 775-622-8801
Fax: 775-622-8810

www.teslaind.com ♦ www.tesla1.com